

Power Climber®

Pocket Climber

The Pocket Climber scaffold hoist sets new standards for dependability, versatility and serviceability. Unique to the Pocket Climber is the ability to both self-reeve and breech-load the wire rope. The breech-loading feature

provides easy and fast inspection and maintenance. Downtime and wire rope problems are reduced. The new load-sensitive traction system, with a "floating sheave," is very gentle on the wire rope and pro-

vides a smooth and positive climb. The Pocket Climber can be used in primary construction and for overall maintenance of buildings, towers, bridges, dams, ships, power plants and similar applications.

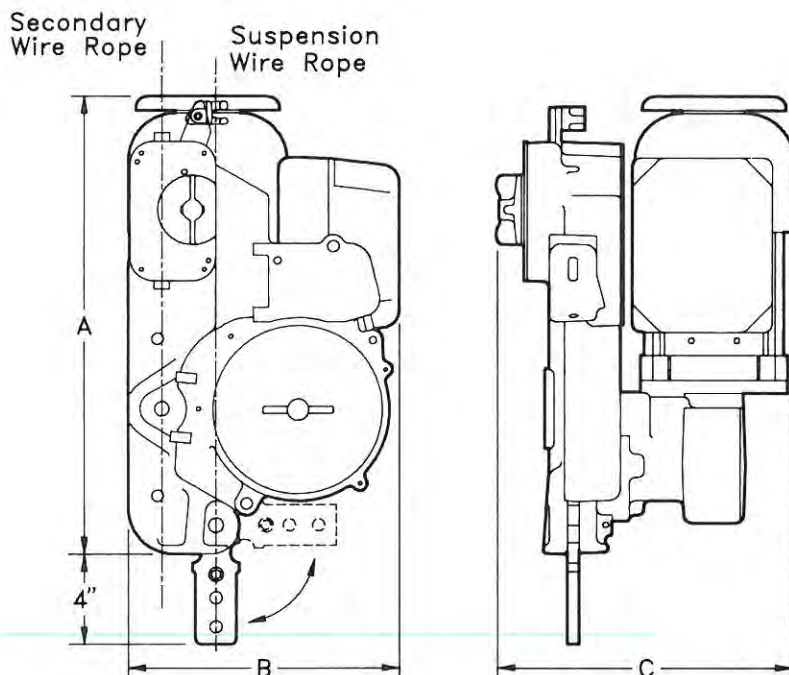
Models and Specifications

Wire Rope:

The Pocket Climber model PC1 can be self-reeved AND breech-loaded using 5/16 inch diameter wire rope (metric equivalent: 8.0 to 8.4 mm). The recommended construction of the wire rope is 6x19 or 6x31, Seale, Improved or Extra Improved Plow Steel, Right Regular Lay, Preformed, IWRC or FC, Bright or Galvanized finish.

NOTE: Thermal overload protection is provided on electric models (automatically resets when motor cools).

* Weights (see below) include two built-in wire rope brakes: an over-speed brake on the suspension rope and a slack rope brake for the optional second wire rope.



Model	Motor hp/psi	Capacity lbs.	Draw amp/cfm	Speed ft./min.	Weight* lbs.	Dimensions A" x B" x C"
PC1-1000E	220VAC, 60hz, 1 phase, 1.0hp	1000	7	35	104	20x12x13
PC1-1000EDV	110/220VAC, 60hz 1 phase, 1.0hp	1000	7/14	35	106	21x13x13.5
PC1-1000E3	208/240VAC, 60hz, 3 phase, 1.0hp	1000	6	35	102	20x12x13
PC1-1000A	Air, 8 vane, 90-120psi, 4hp	750/1000	40-70cfm	up to 35	88	18.5x12x14



Features

Lightweight & Compact

All models weigh about 100 lbs. or less (including two built-in wire rope brakes!). The Pocket Climber will fit through a 14 inch opening.

Dependable

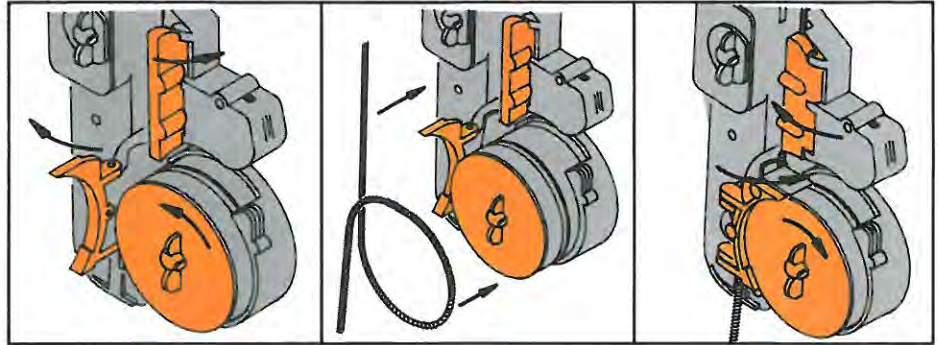
The simple design keeps electrical and moving parts to a minimum, ensuring high reliability.

Low Maintenance

The extreme modular and open design allows for quick, easy inspection and serviceability.

Self-Reeving

The end of the wire rope will smoothly and quickly reeve through the hoist.



1. Open access doors and retract sheave.

2. Insert wire rope.

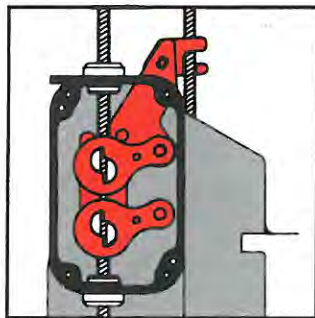
3. Rotate the sheave back in and close the access doors.

Breach-Loading Or Not

The Pocket Climber not only self-reeves, it can be easily breach-loaded anywhere on the wire rope. This versatile feature is great for reeving long lengths of wire rope or rope with a damaged end and reeving without power. Non-breach models require tools to perform the breach reeving function – keep the feature for your rigger's use; restrict your customer from using it.

Two Wire Rope Brakes Built-In

No need to assemble or install. Can't be left in the shop or bypassed. *Overspeed Brake* automatically locks onto the wire rope if an overspeed condition occurs. Can be activated manually by the operator at any time. *Slack Wire Brake* (use is optional but strongly recommended) senses slack, broken or detached suspension rope and separate brake jaws lock on the second wire rope. With a second wire rope, OSHA regulations permit attaching safety equipment directly to a trolley line on the stage – eliminating the need for cumbersome independent lifelines.



Slack Wire Brake

Full Power Cut-Off Switch

Lets operator cut off power to hoist in emergency.

Voltage Indicator Light

Indicates low voltage by blinking when pressing Up/Down switch at marginal power in 220V and 110/220V models. Light goes out altogether at poor voltage.

Hour Meter

Shows operating hours in 220V and 3 Phase models for service tracking.

Phase Protection/Voltage Monitor

Protects 3 ph hoist by shutting off power in low voltage and out of phase conditions.

Load Dependent Traction

The wire rope makes a single wrap around the hardened sheave. The load pushes the wire rope against two traction rollers, providing smooth dependable traction that automatically increases to match the load. The light spring force for reeving avoids rope jams.

Built-In Heavy Duty Carrying Handle

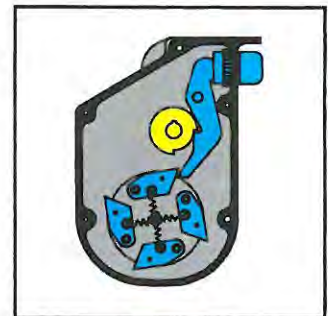
Allows ease of transport and doubles as Operators Manual storage tube.

High Speed

Constant travel at 35 ft/min. Cuts job time and labor costs.

Electromagnetic Primary Brake with No Power Controlled Decent

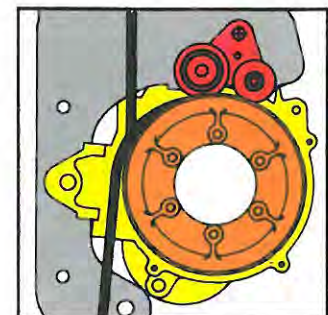
The brake is attached to the motor and is automatically applied when the Up/Down switch is released or power is interrupted. In case of power failure, pulling a level allows a slow controlled descent.



Overspeed Compartment



Controlled Descent



Load-Dependent Traction Principle